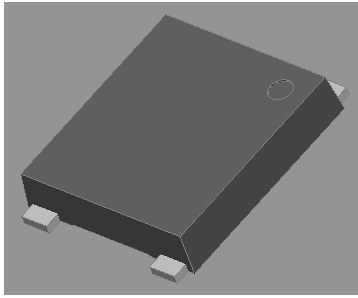
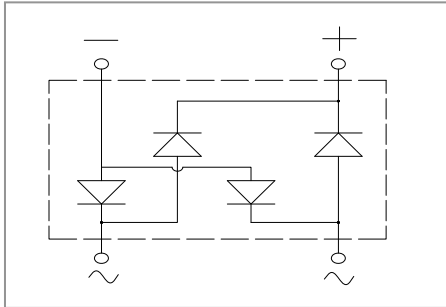


)DVW 5HFRYHU\ %ULGJH 5HFWLILH



)HDWXUHV
 " 8/ UHFRJQLWLRQ ILOH (
 " *ODVV SDVVLYDWHG FKLS MXQFWLRQ
 " ,GHDO IRDWDHXSOPDFHPPHQW
 " +LJK VXUJH FXUUHQW FDSDELOLW\
 " 0HHWV 06/ OHYH0' SHU PD[LPXP
 SHDN RI f&



7\SLFDO \$SSOLFDWLRQV
 *HQHUDO SXUSRVHTXHHQFQ \$&JK EULGJH IXOO
 UHFWLILFDWLRQ UQW E 0000VOMJIK WPKDDUJHU
 KRPH DSSOLDQFHVHQLWLDHQBTXHSHFRPPXQLF
 DSSOLFDWLRQV

0HFKDQLFDO 'DWD
 " 3DFNDJH%6
 0ROGLQJJžS" Et 50WÀQ J R'y, S9H0 À@.00H

	W	\$ V	
6WRUDJH WHPHUDWXUH	vwj	- 7	a
-XQFWLRQ WHPHUDWXUH		- 7M	a



5 < % 6

v(OHFWULFDO & KDUDFWHQDWLRQ RYHUWV RWKHUZLVH VSHFLILHG

3\$5\$0(7(5	6<0%2/	81,7	7(67 & 21',7,2	5<%6
0D[LPXP UHYHUVH UHFRYHUWLP			W\$5, \$	V
0D[LPXP LQVWDQWDQHRXV IRUZDUG YROWDJH GURS SHU GLRGH			0 \$	
0D[LPXP '& UHYHUVH FXUUHQW DW UDWH '& EORFNLQJ YROWDJH SHU GLRGH			7M -	
			7M -	\$
7\SLFDO MXQFWLRQ FDSDFLWDQFH			0HDVXUHG DW 0+] DQG \$50LHG 5BYHUVH 9ROWDJH RI 9' &	

v7KHUPDO & KDUDFWHQDWLRQ RYHUWV RWKHUZLVH VSHFLILHG

3\$5\$0(7(5	6<0%2/	81,7	5<%6
7\SLFDO 7KHUPDO 5HVLVWDQFH	%HWZHHQ -XQFWLRQ	DQG\$RELHQW	
	%HWZHHQ -XQFWLRQ	DQG /HDG	- : 5
	%HWZHHQ -XQFWLRQ	DQG &DVH	5

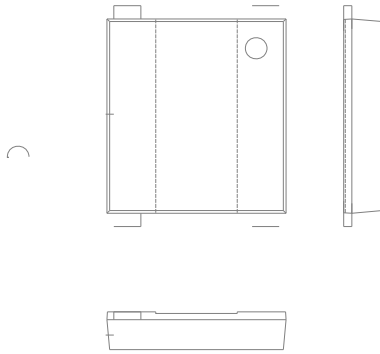
1RWH 'HYLFH PRXQWHG RQ 3 & % ZLWK PP PP PP

v2UGHULQJ ,QIRUPDWLRQ ([DPSOH

35()(5(' 3 1	3\$&.,1 & 2'()	81,7 : (.,*+7	0,1,,080 3\$&.\$*(SF	,11(5 %2; 48\$17,7< S	287(5 & \$572 48\$17,7< S	'(/,9(5< 02'()
5<%6)	\$SSUR[LPDWH				



v 2XWOLQH 'LPHQVLRQV



< % 6		
'LP	0LQ	0D
\$		
%		
&		
'		
(
)		
*		
+		
,		
-		

v 6XJJHVWHG SDG OD\RXW

'LP	0LQ
3	
3	
4	
4	



'LVFODLPHU

7KH LQIRUPDWLRQ SGRFMDMCHG LQ IRKLVHDIHQJHQRH<BQJMLH (OHFWURQLF 7HFKQRO
ULJKW WR PDNH FKDLFHVRZLWKR XWSKRLSLURDQKFRQ/ RGLWSOD\HG KHUHLQ WURGLFSLURQ
RU RWKHUZLVH

7KH SURGXFW OLVWHG KHUHLQ LV GHVQLHQRWRFEHTXVLSBHZLWKRURGHYLFHUVWIDQG
HTXLSPHQW RU GHYLFHV ZKLFK UHTGLWKHKPDQOXQYFVGRQLRHHZLWDLQKXGDQFHU DXP
PHGLFDO LQVWUXPHQWVITWLSDFHGRUUDHWHURVSDXFFHFDKWLQDFWRLOFRQDQGRBODHUU V
GHYLFHV <DQJMLH RU DQ\RQH RQ LWVOEMWKDQJ ODVEXLPHLWQRUWHVGRQYRBJHVHUV
RI VDOH

7KLV SXEOLFDWLRQISVDSFHUWIDGIDVLQURQPDVLSRQLSBGHYLRURXVGLWLRQDO LQWRHUPDWLR
KWWVZ [\DQJMLHRRR](#)FRQVXOW \RXU QHDUHW <DQJMLVHMIDQVFDHOHV RILFH IRU IXUW