

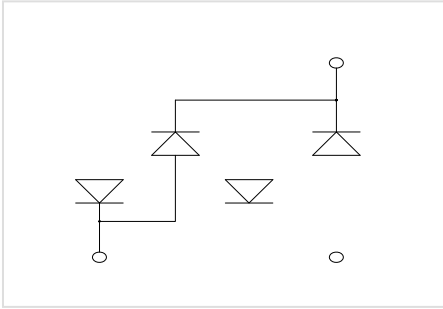
Fast Recovery Bridge Rectifiers

Features

- UL recognition, file #E313149
- Ideal for automated placement
- Glass passivated chip junction
- High surge current capability
- Meets MSL level 1, per J-STD-020, LF maximum peak of 260 °C

Typical Applications

General purpose use in high frequency AC/DC bridge full wave rectification for SMPS, lighting ballast, adapter, battery charger, home appliances, office equipment, and telecommunication applications.



Mechanical Data

- Package:** ABS
- Molding compound meets UL 94 V-0 flammability rating, RoHS-compliant, Halogen free
- Terminals:** Tin plated leads, solderable per J-STD-002 and JESD22-B102
- Polarity:** As marked on body

Maximum Ratings (T_a=25 Unless otherwise specified)

PARAMETER	SYMBOL	UNIT	RABS210
Device marking code			RABS210
Maximum Repetitive Peak Reverse Voltage	VRRM	V	1000
Maximum RMS Voltage	VRMS	V	700
Maximum DC blocking Voltage	VDC	V	1000
Average rectified output current @60Hz sine wave, R-load, T _c =108	I _O	A	2.0
Forward Surge Current (Non-repetitive) @60Hz Half-sine wave, 1 cycle, T _j =25	IFSM	A	50
Forward Surge Current (Non-repetitive) @1ms, square wave, 1 cycle, T _j =25			100
Current squared time @1ms t<8.3ms T _j =25 Rating of per diode	I ² t	A ² s	10.4
Storage temperature	T _{stg}		-55 ~ +150
Junction temperature	T _j		-55 ~ +150

100

Typical junction capacitance	C _j	pF	Measured at 1MHz and Applied Reverse Voltage of 4.0 V.D.C	15
------------------------------	----------------	----	---	----



RABS210

Thermal Characteristics $T_a=25$ Unless otherwise specified

PARAMETER		SYMBOL	UNIT	RABS210
Thermal Resistance	Between junction and ambient	R J-A	/W	62.5
	Between junction and lead	R J-L		25.0
	Between junction and case	R J-C		8.0

Note: Device mounted on P.C.B with 35mm*25mm*1.7mm

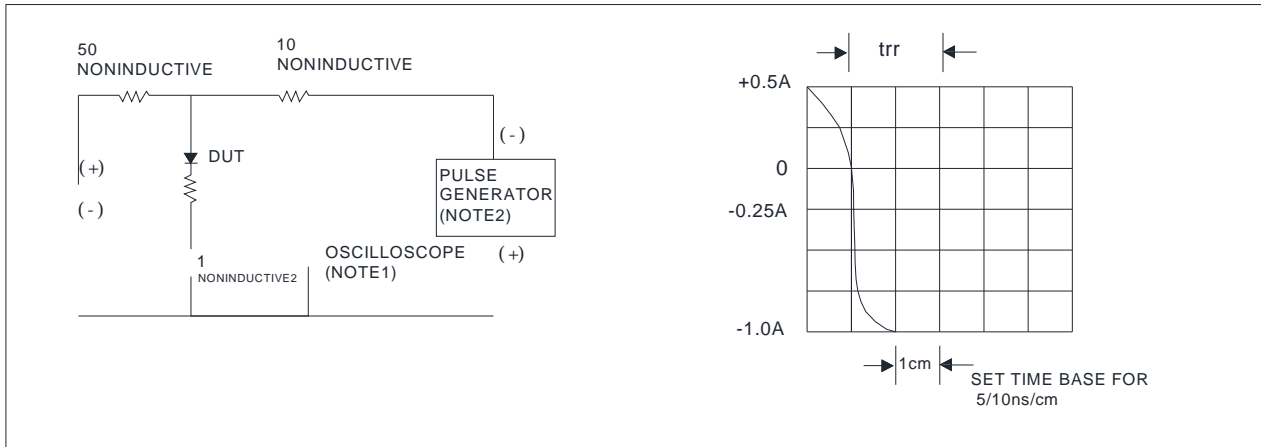
Ordering Information (Example)

PREFERED P/N	PACKING CODE	UNIT WEIGHT(g)	MINIIMUM PACKAGE(pcs)	INNER BOX QUANTITY(pcs)	OUTER CARTON QUANTITY(pcs)	DELIVERY MODE
RABS210	F1	A, A, F1	M M	M	N	



RABS210

FIG.5: Diagram of circuit and Testing wave form of reverse recovery time



Outline Dimensions

ABS		
Dim	Min	Max
A	4.30	4.50
B	6.00	6.40
C	3.90	4.10
D	4.90	5.10
E	1.25	1.45
F	1.60 Max	
G	0.60	0.70
H	0.15	0.25
I	0.30	0.80
J	0.02	0.15

Suggested pad layout

Dim	Min
P1	5.72
P2	4.00
Q1	1.00
Q2	0.90



Disclaimer

The information presented in this document is for reference only. Yangzhou Yangjie Electronic Technology Co., Ltd. reserves the right to make changes without notice for the specification of the products displayed herein to improve reliability, function or design or otherwise.

The product listed herein is designed to be used with ordinary electronic equipment or devices, and not designed to be used with equipment or devices which require high level of reliability and the malfunction of which would directly endanger human life (such as medical instruments, transportation equipment, aerospace machinery, nuclear-reactor controllers, fuel controllers and other safety devices), Yangjie or anyone on its behalf, assumes no responsibility or liability for any damages resulting from such improper use of sale.

This publication supersedes & replaces all information previously supplied. For additional information, please visit our website [http:// www.21yangjie.com](http://www.21yangjie.com) , or consult your nearest Yangjie's sales office for further assistance.