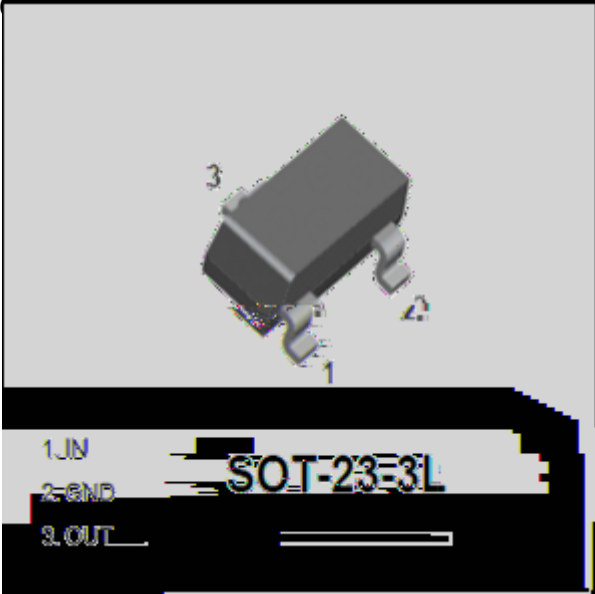


r circuit

connecting external input resistors
e mo automatic



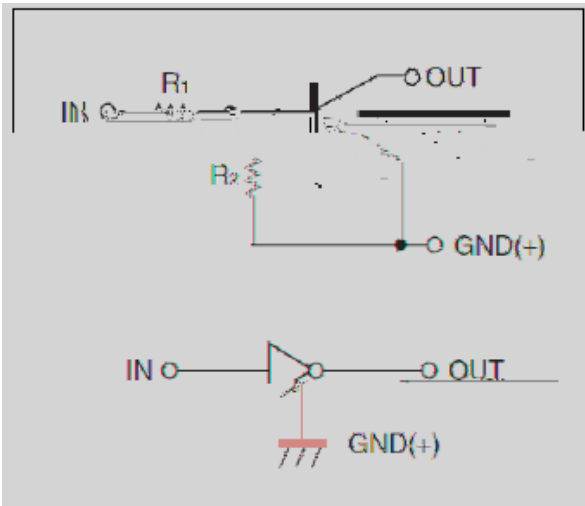
Mechanical Data

Package: SOT-23-3L

Terminals: Tin plated leads, solderable per J-STD-002 and JESD22-B102

Marking: 14

Equivalent circuit



Maximum Ratings (Ta=25 Unless otherwise specified)

ITEM	SYMBOL	UNIT	VALUE
Supply Voltage	VCC	V	-50
Input Voltage	VIN	V	-40 to +10
Output Current	IO	mA	-100
Power Dissipation	PD	mW	200
Thermal Resistance, Junction to Ambient	R _{thJA}	/W	625
Junction Temperature	T _j		150
Storage Temperature	T _{stg}		-55 to +150



DTA114EKA

Electrical Characteristics (Ta=25 unless otherwise specified)

ITEM	SYMBOL	UNIT	CONDITIONS	MIN	TYP	MAX
Input voltage	$V_{I(off)}$	V	VCC=-5V, Ic=-100uA	-0.5		
	$V_{I(on)}$	V	VO=-0.3V, Ic=-10mA			-3
Output voltage	$V_{O(on)}$	V	Io /Ii =-10mA/-0.5 mA			-0.3
Input current	I _I	mA	VI=-5V			-0.88
Output current	$I_{O(off)}$	uA	VCC=-50V, Vi=0			-0.5
DC current gain	GI		Vo=-5V, Io =-5mA	30		
Input resistance	R_1	k		7	10	13
Resistance ratio	R_2/R_1			0.8	1	1.2
Transition frequency	f _T	MHz	Vo=-10V, IO=-5mA, f=100MHz		250	

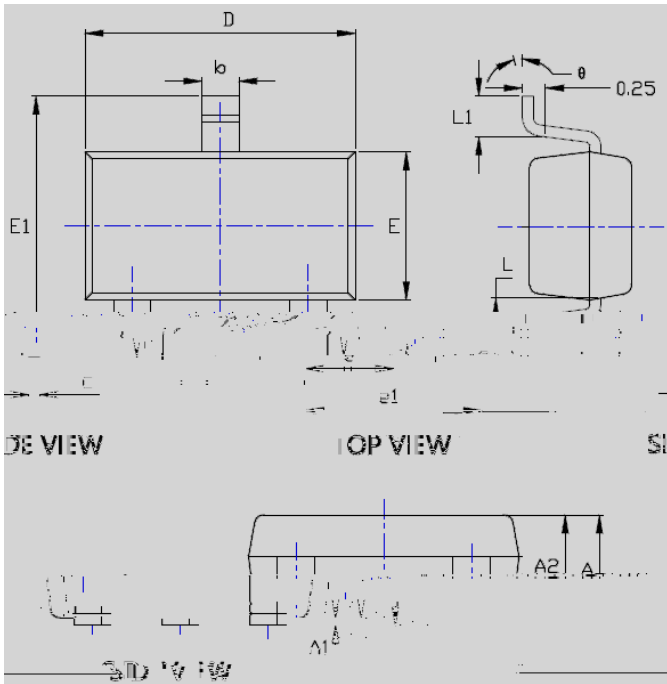
Ordering Information (Example)

PREFERRED P/N	PACKING CODE	UNIT WEIGHT(g)	MINIMUM PACKAGE(pcs)	INNER BOX QUANTITY(pcs)	OUTER CARTON QUANTITY(pcs)	DELIVERY MODE
DTA114EKA	F2	Approximate 0.014	3000	30000	120000	7" reel



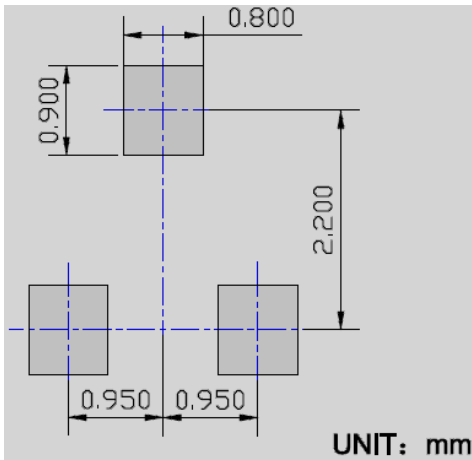
DTA114EKA

SOT-23-3L Package Outline Dimensions



SYMBOL	DIMENSIONS				
	INCHES		Millimeter		
	MIN.	MAX.	MIN.	MAX.	
A	0.041	0.049	1.050	1.250	
A1	0.000	0.008	0.000	0.200	
A2	0.041	0.045	1.050	1.150	
e1	0.067	0.150	1.700	1.850	
4	0.116	2.650	2.950	1	0.10
0.037 YP		0.950 YP		e	
1	0.079	1.800	2.000	e1	0.07
0.024R1		0.600R1		l	
2	0.024	0.300	0.500	1	0.01
	8°	0°	8°	∅	0°

SOT-23-3L Suggested Pad Layout



'7\$ (. \$

'LVFODLPHU

7KH LQIRUPDWLRQ SURGXFWLRQ LQ IRVLDLQJHJHQRH BQJMLH (OHFWURQLF 7HFKQRO
ULJKW WR PDNH FKDLFHVRZLWKR XWSKRLSULFDGXIERQ/ RGLWSOD\HG KHUHLQ WRGLPSLWRY
RU RWKHUZLVH

7KH SURGXFW OLVWHG KHUHLQ LV GHVHJRWGRFEHTXVLSBHZLWKRURGHLYLDFHWVWIDQG
HTXLSPHQW RU GHYLFHV ZKLFK UHTGLWKRHKEDKQXQYHVOGRQLWHOLWDLORVSDXQFKU
PHGLFDO LQVWUXPHQWVITWLSDFHCSRUDWHURVSDXFFHDFKULQDFWURU FRQWUROOHU