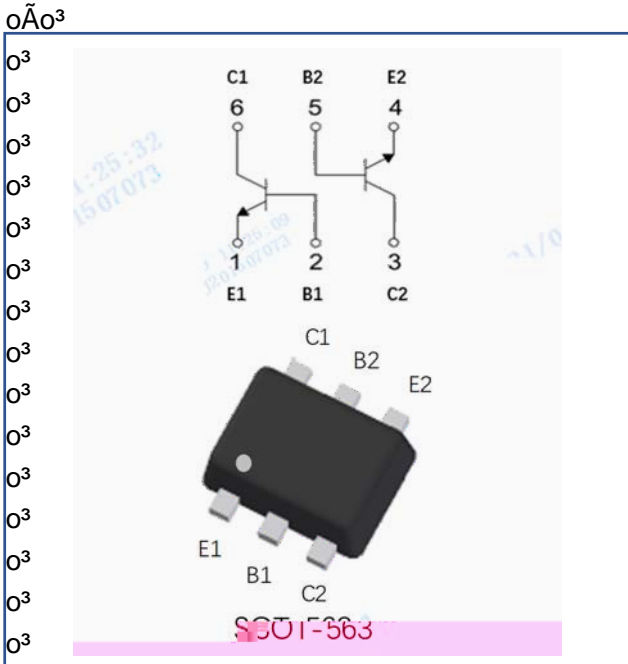




00'7 9

RoHS  
COMPLIANT

'XDO 131 6PDOO 6LJQDO 7UDQVLVW



)HDWXUHV

z 0RLVWXUH VHQVLWLYLW\ OHYHO  
 z +DORJHQ IUHH DQG 5R+6 FRPSOL  
 z 6XUIDFH PRXQW SDFNDJH LGHDO  
 PDWLF ,QVHUWLRQ

\$SSOLFDFWLRQ

z 6LJQDO DPSOLILDFWLRQ  
 z 6ZLWFKLQJ FLUFXLW

OHFLOHF À 'O Q€'€ ROOHVV RWK

0<sup>3</sup>

,WHP	6\PERO	8QLW	&RQGLWLRQV	9DOXH
'HYLFH PDUNLQJ FRGH				.\$3
&ROOHFWRU EDVH YROWDJH	&%2		9 X\$(, 9	,
&ROOHFWRU HPLWWHU YROWDJH	(%2		& P\$ % 9	,
(PLWWHU EDVH YROWDJH	(%2		9 ( X\$&, 9	,
&ROOHFWRU FXUUHQW	&	P\$	,	
3RZHU GLVVLSDWLRQ	3	P:		
-XQFWLRQ WHPSHUDWXUH	-	-	7	WR
6WRUDJH WHPSHUDWXUH	67'	-	7	WR

0<sup>3</sup>  
0<sup>3</sup>  
0<sup>3</sup>  
0<sup>3</sup>  
0<sup>3</sup>  
0<sup>3</sup>

6<sup>03</sup>6  
5HY

0DU

<DQJ]KRX <DQJMEH HOKQWQRQL&ZZZ/WGDQJMLH FRP



00'7 9 0"

RoHS COMPLIANT

0<sup>3</sup>  
0<sup>3</sup>  
0<sup>3</sup>  
0<sup>3</sup>

,WHP	6\PERO	8QLV	&RQGLWLRQV	0LQ	7\S	0D[
&ROOHFWRU EDVH EUHDNGRZQ	YROWD	JH X\$ ( , 9				
&ROOHFWRU HPLWWHU EUHDNGRZQ	YROWD	JH X\$ ( , 9				
(PLWWHU EDVH EUHDNGRZQ	YROWD	JH X\$ ( , 9				
%DVH FXWRII FXUUHQW			9&( 9 ( 2)) 9 \$			
&ROOHFWRU HPLWWHU FXWRII	FXUUHQW	9 ( 2)) ,9\$		9		
	K(		&( 9 &, P\$ 9			

' & FXUUHQW JDLQ

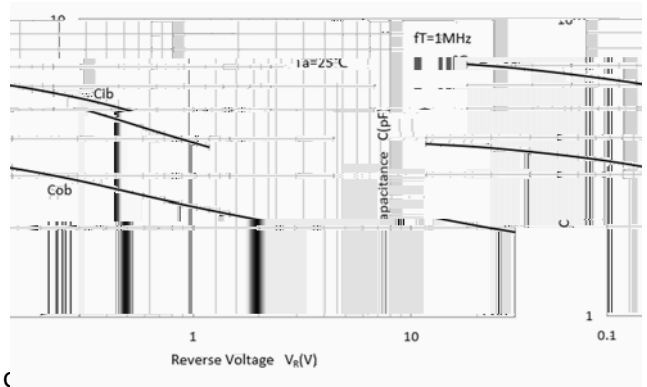




00'7 9

RoHS COMPLIANT

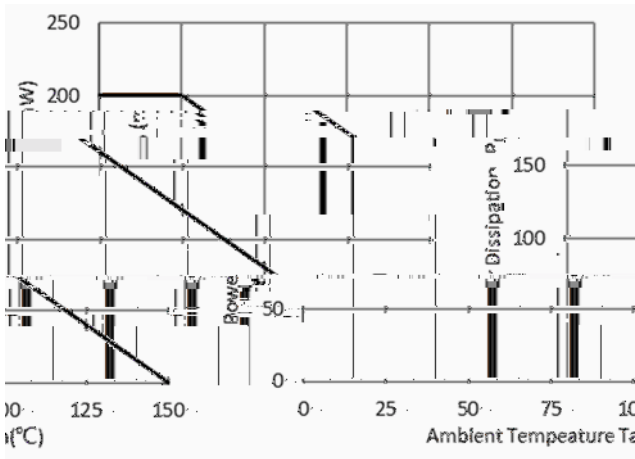
)LJo# % DVH ( PLW WHU 9 ROW DJH o#&RE & L&E 990<sup>3</sup>



O<sup>3</sup> O<sup>3</sup> C

O<sup>3</sup>

)LJo#3 7D & X0BYH



O<sup>3</sup>

O<sup>3</sup>

O<sup>3</sup>

O<sup>3</sup>

O<sup>3</sup>

O<sup>3</sup>

O<sup>3</sup>

O<sup>3</sup>

O

3

0

3



00'7 9 0"

RoHS COMPLIANT

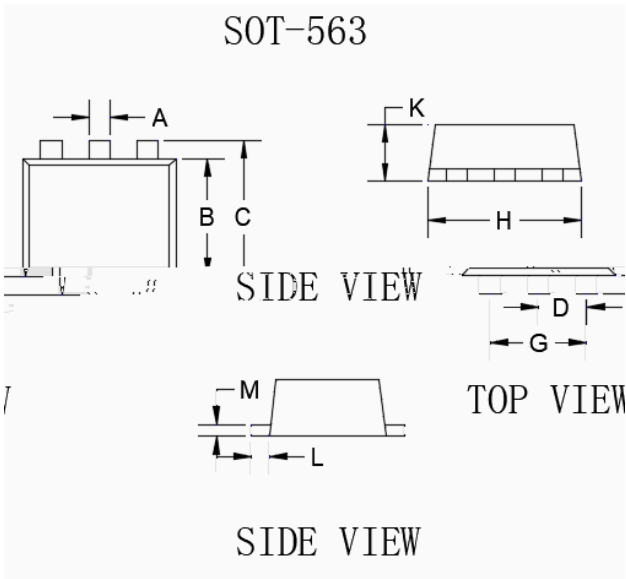
03

v2UGHULQJ ,QIRUPDWLRQ

3UHIHUUH(C	3DFNL FRGH	8QLW ZHLJ	0LQLPXP SDFNDJH	,QQHU ER TXDQWLW\	2XWHU FDU TXDQWLW\	'HOLYHU\ PRGH
00'7 9	)	\$SSUR[LPDWH				

v2XWOLQH 'LPHQVLRQV

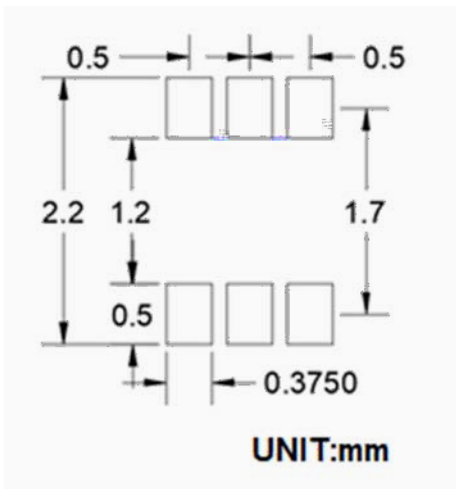
03



DIM	DIMENSIONS			
	INCHES		MM	
	MIN	MAX	MIN	MAX
A	0.006	0.011	0.150	0.300
B	0.043	0.051	1.100	1.300
C	0.059	0.067	1.500	1.700
D	0.016	0.024	0.400	0.600
	0.035	0.043	0.900	1.100
	0.037	0.030	0.700	0.800
	0.026	0.030	0.600	0.800
	0.010	0.030	0.300	0.800
	0.007	0.030	0.180	0.800

03

v6XJJHVWHG 3DG /D\RXW



03

03

0 3 0 3



00'7 9 0"

RoHS COMPLIANT

0<sup>3</sup>

'LVFODLPHU

7KH LQIRUPDWLRQ SURGXFWV LQ IRWLVH QJH RFXH RQ OMLH (OHFWURQLF 7HFQROR  
ULJKW WR PDNH FKDLQH VRZLWKR XWSKFLSURGXERQ RILWSOD\HG KHUHLQ WR GPSURQ  
RU RWKHUZLVH

7KH SURGXFW OLVWHG KHUHLQ LV GHOLJHQ GRWR FEHTXV SEHZLW RIR UGHLQ FHWW DQG  
HTXLSPHQW RU GHYLFHV ZKLFK UHTXLW KHKE DIO IXQFHWL RQ URH QILWEL QRWO DGE KUDFW O  
PHGLFDO LQVWUXDWLRQ HTXDQV S QWW DHUUR QSE DHI PLDKLDF WRU FRQWUROOH WY IX  
GHYLFHV <DQJMLH RU DQIRQH RQ LWV OEWK DQJ OD VEX D H W QIR W HDQS RQ DRE JXW HU HV  
RI VDOH

7KLV SXEOLFDFWLRQ SVXSSHU DGOVLQURUPD XLSRQL SGHYR R XDWGLRQL RSDHO V R WRLPL W RX  
KWWS://[www.dqjmlh.com](#) QVXOW \RX QV DCHV R D QMLH V D QV KHU D

0<sup>3</sup>