

Á  
Á

### Maximum Ratings

Item
Ü^Ç^!•^!X[ cæ*^!]
Ø[! , æ!á!Ö[ ]cá} [ ^•!Ö~!!^}cá
V@^! { æ!á!Ö[ ]cá} &^!-! [ { !R~ } &cá [ }Ác [ ÁCE { áä^}cá
—

Á



# BAS16T

## Electrical Characteristics

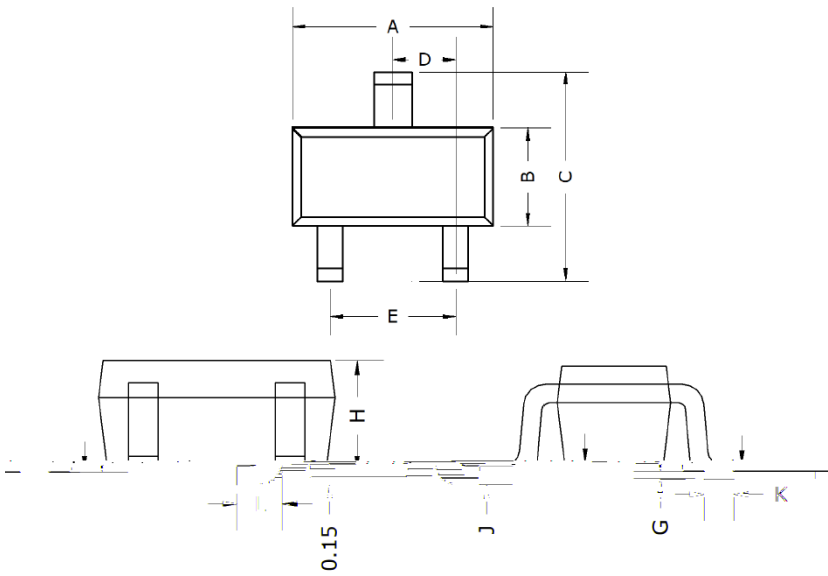
Item	Symbol	Unit	Conditions	MIN	TYP	MAX
Ü^Ç^!•^ÁX[ cæ*^Á	X <sub>0</sub>	X <sub>A</sub>	QÜMF€€~CEÁ	i í Á	ÉÁ	ÉÁ
			Q <sub>0</sub> MF { CEÁ	ÉÁ	ÉÁ	€€íFíÁ

Tæðá { ~ { Á Q } •cæ } cæ } ^ [ ~ •Á Ø [ ! , æ í á Á X<sub>0</sub> X<sub>A</sub>



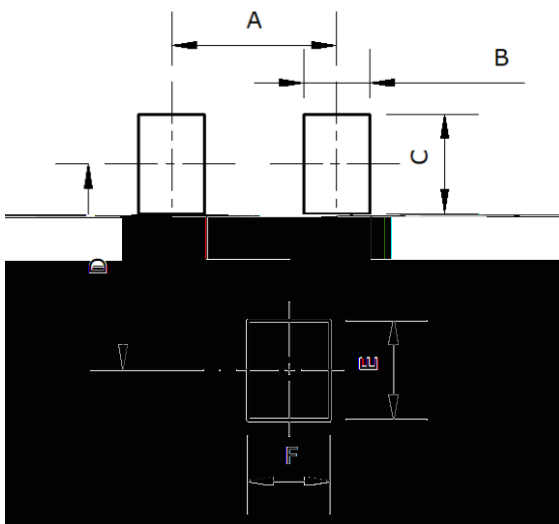
# BAS16T

## SOT-523 Package Outline Dimensions



DIMENSIONS				
DIM	INCHES		MM	
	MIN	MAX	MIN	MAX
A	0.059	0.067	1.50	1.70
B	0.030	0.033	0.75	0.85
C	0.057	0.069	1.45	1.75
D	0.020TYP		0.50TYP	
E	0.035	0.043	0.90	1.10
G	0.000	0.004	0.00	0.10
H	0.024	0.031	0.60	0.80
J	0.004	0.008	0.10	0.20
K	0.006	0.014	0.15	0.35

## SOT-523 Suggested Pad Layout



DIMENSIONS	
DIM	MM (TYP)
A	1.00
B	0.40
C	0.60
D	1.24
E	0.60
F	0.50

ÁHÁDÁ I Á



Disclaimer

í