



BCX56

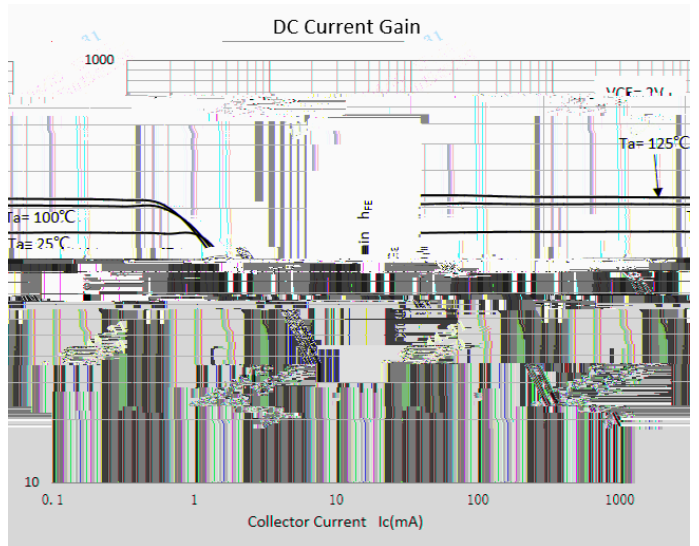
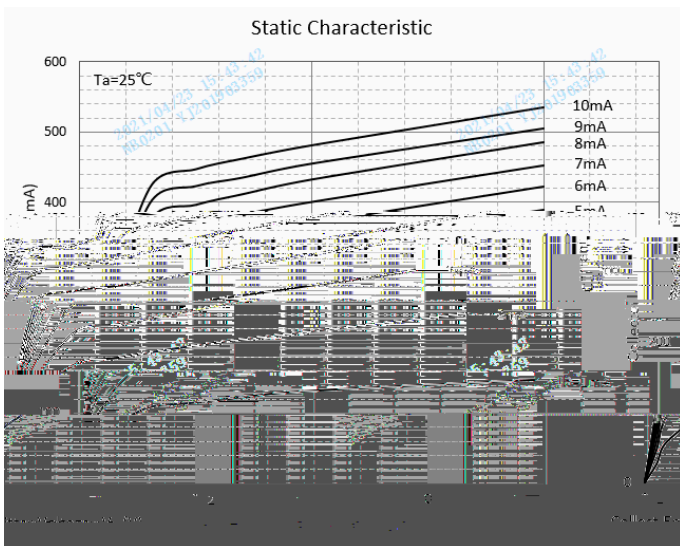
Electrical Characteristics (Ta 1 & 5 unless other k ise noted)

Item	Symbol	Unit	Conditions	Min	TYP	Max
Collector-Emitter Voltage	V_{CE0}	V	$I_C 1 \text{ mA} \pm 5 \%$	8		
Collector-Base Voltage	V_{CB0}	V	$I_C 1 \text{ mA} \pm 5 \%$			
Emitter-Base Voltage	V_{BE0}	V	$I_E 1 \text{ mA} \pm 5 \%$	5		
Collector-Base cut-off current	I_{CBO}	nA	$V_{CB} 1 \text{ V}$			
Emitter-Base cut-off current	I_{EBO}	nA	$V_{EB} 1.5 \text{ V}$			
DC Current Gain	$h_{FE} \%$		$V_{CE} 1 \text{ V} \& V_{CE} 11 \text{ V} \pm 5 \text{ mA}$	6		8.5
	$h_{FE} \&$		$V_{CE} 1 \text{ V} \& V_{CE} 11 \text{ V} 5 \text{ mA}$	(
	$h_{FE} \cdot$		$V_{CE} 1 \text{ V} \& V_{CE} 11 \text{ V} 5 \text{ mA}$	8.5		
Collector-Emitter Saturation Voltage	$V_{CE(sat)}$	V	$I_C 15 \text{ mA} \& I_E 15 \text{ mA}$			0.5
Base-Emitter Voltage	V_{BE}	V	$V_{CE} 1 \text{ V} \& V_{CE} 11 \text{ V} 5 \text{ mA}$			
Transition Frequency	f_T	MHz	$I_C 1 \text{ mA} \& V_{CE} 1.5 \text{ V} \& f = 1 \text{ MHz}$			

Ordering Information (Example)

PREFERRED P/N	PACKING CODE	UNIT WEIGHT(g)	MINIMUM PACKAGE(pcs)	INNER BOX QUANTITY(pcs)	OUTER CARTON QUANTITY(pcs)	DELIVERY MODE
BCX56	F&	Approximate 0.55	5000	800	8000	Roll

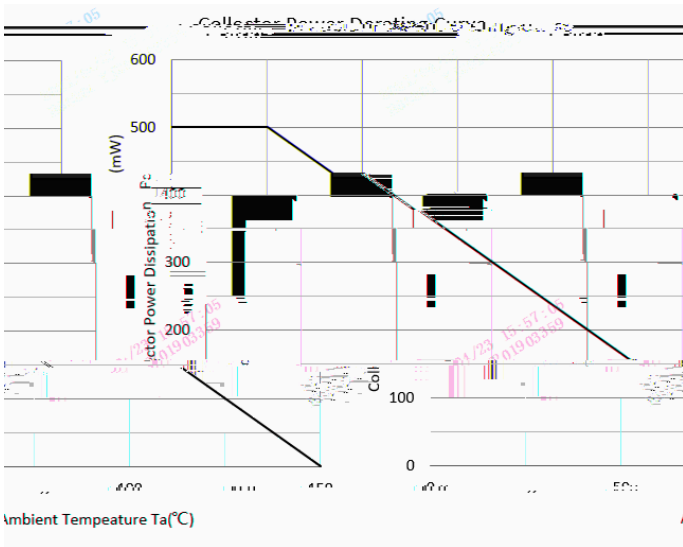
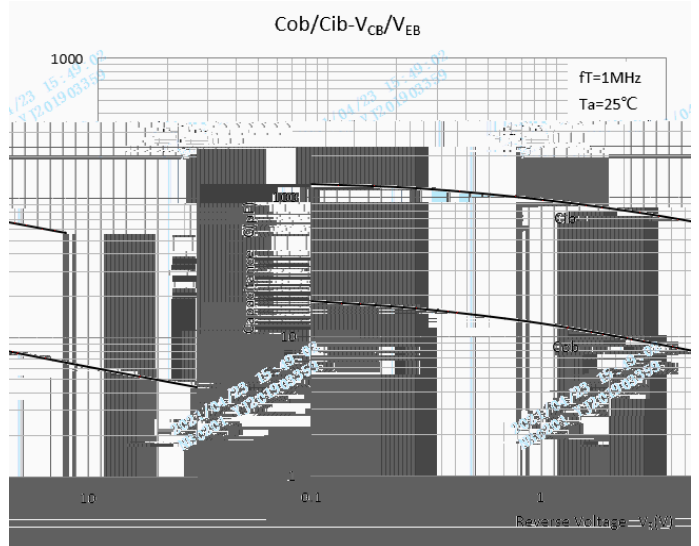
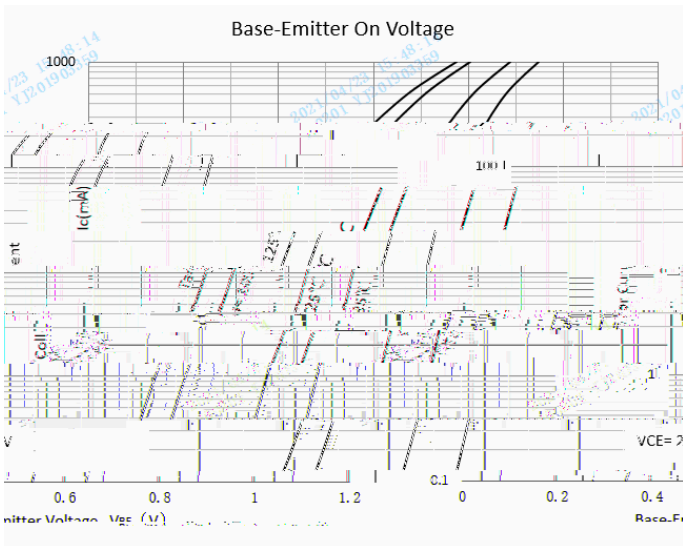
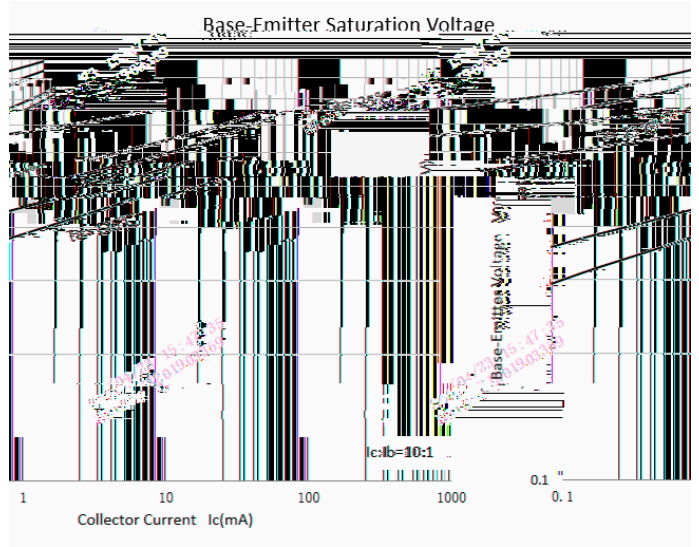
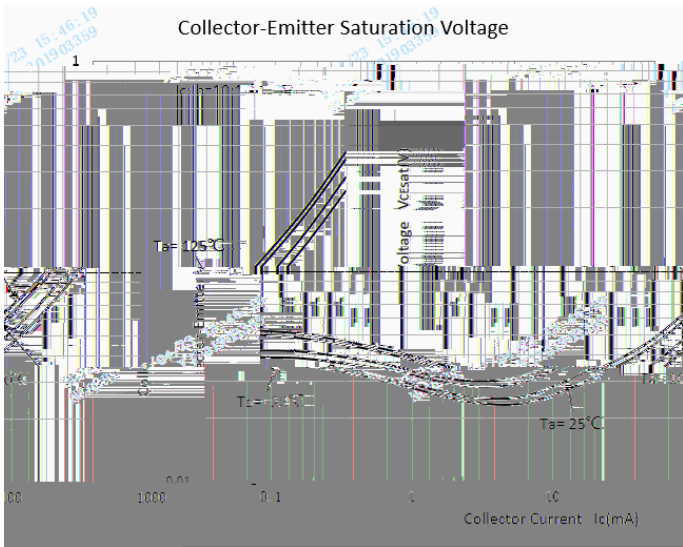
Characteristics (Typical)



& #)



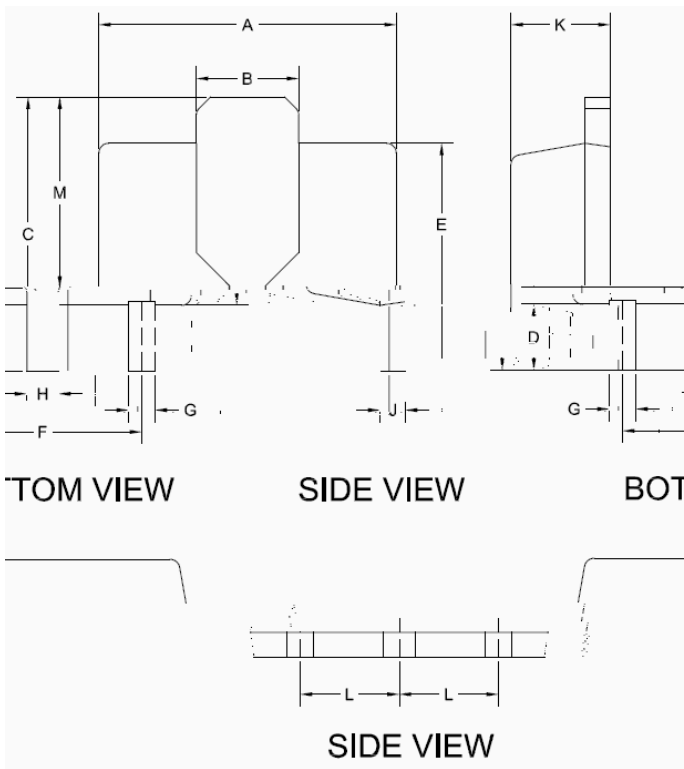
BCX56



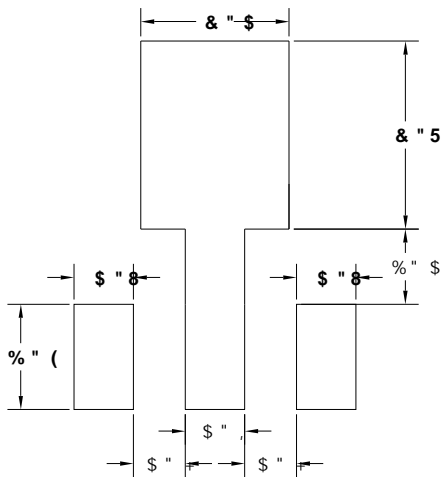
)



SOT-89 Package Outline Dimensions



SOT-89 Suggested Pad Layout



UNIT:MM



BCX56

Disclaimer

The information presented in this document is for reference only. Yangn Hou Yang ^ ie Electronic Technology Co., Ltd. reserves the right to make changes without notice for the specification of the products displayed herein to improve reliability, functionality, or otherwise.

The product listed herein is designed to be used with ordinary electronic equipment or devices, and not designed to be used with equipment or devices which require high level of reliability, malfunction of which could directly endanger human life (such as medical instruments), transportation equipment, aerospace machinery, nuclear-reactor controls, fuel control systems, and other safety devices). Yang ^ ie or anyone on its behalf, assumes no responsibility for any damages resulting from such improper use of sale.

This publication supersedes and replaces all information previously supplied. For additional information, please visit our website <http://www.kk.com> & %yang ^ ie .com or consult your nearest Yang ^ ie office for further assistance.