



YJP120G08A

N-Channel Enhancement Mode Field Effect Transistor

Product Summary

V_{DS}	80V
I_D	120A
$R_{DS(ON)}$ (at $V_{GS}=10V$)	4.8



YJP120G08A

Electrical Characteristics (T_J=25 unless otherwise noted)

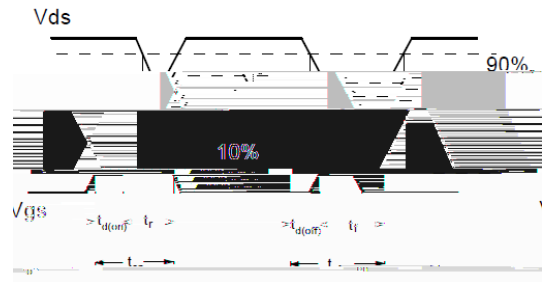
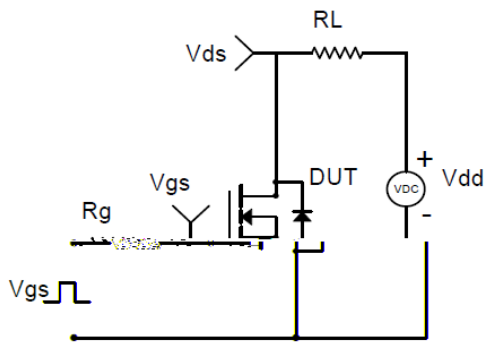
Parameter	Symbol	Conditions	Min	Typ	Max	Units
Static Parameter						
Drain-Source Breakdown Voltage	BV _{DSS}	V _{GS} =0V, I _D =250	80	-	-	V
Zero Gate Voltage Drain Current	I _{DSS}	V _{DS} =80V, V _{GS} =0V	-	-	1	
Gate-Body Leakage Current	I _{GSS}	V _{GS} = ± 20V, V _{DS} =0V	-	-	± 100	nA
Gate Threshold Voltage	V _{GS(th)}	V _{DS} = V _{GS} , I _D =250	2.0	3.0	4.0	V
Static Drain-Source On-Resistance	R _{DS(ON)}	V _{GS} =10V, I _D =20A	-	3.9	4.8	m
Diode Forward Voltage	V _{SD}	I _S =20A, V _{GS} =0V	-	0.8	1.2	V
Maximum Body-Diode Continuous Current	I _S		-	-	120	A
Gate resistance	R _G	f=1MHz, Open drain	-	2	-	
Transconductance	G _{fs}	V _{DS} =10V, I _D =50A		71.5		S
Dynamic Parameters						
Input Capacitance	C _{iss}	V _{DS} =40V, V _{GS} =0V, f=1MHz	-	5666	-	pF
Output Capacitance	C _{oss}		-	860	-	
Reverse Transfer Capacitance	C _{rss}		-	7.5	-	
Switching Parameters						
Total Gate Charge	Q _g	V _{DS} =40V, V _{GS} =10V, I _D =50A	-	73	-	nC
Gate-Source Charge	Q _{gs}		-	25	-	
Gate-Drain Charge	Q _{gd}		-	12	-	
Reverse Recovery Charge	Q _{rr}	I _F =50A, di/dt=100A/us	-	50	-	
Reverse Recovery Time	t _{rr}		-	44	-	
Turn-on Delay Time	t _{D(on)}	V _{DS} =40V, V _{GS} I _D =50A	-	27	-	ns
Turn-on Rise Time	t _r		-	32	-	
Turn-off Delay Time	t _{D(off)}		-	54	-	
Turn-off fall Time	t _f		-	17	-	

A. Repetitive rating; pulse width limited by max. junction temperature.

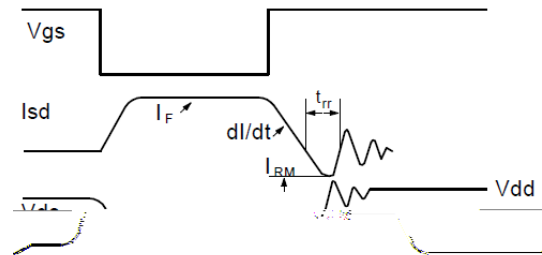
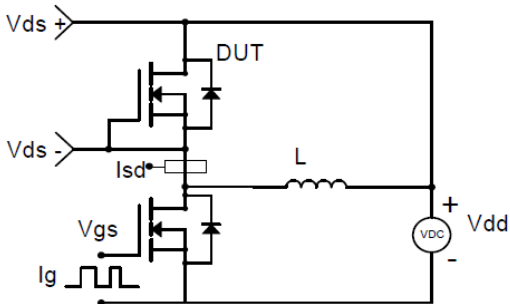
B. T_J=25, V_{DD}=50V, V_{GS}=10V, L=2mH I_{as}=26.5A.

C. P_d is based on max. junction temperature, using junction-case thermal resistance.

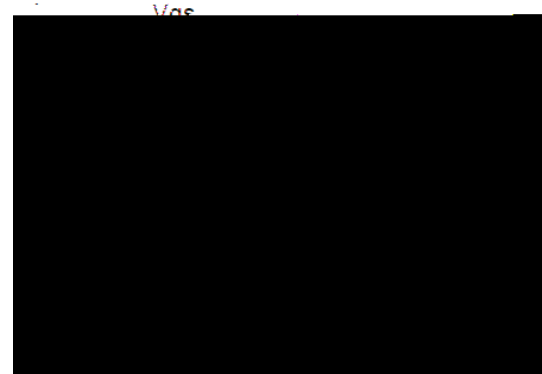
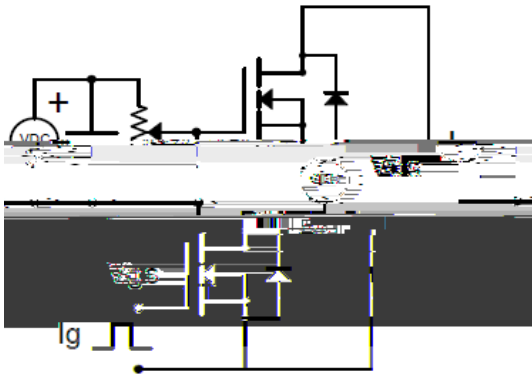
D. The value of R is measured with the device mounted on 1in2 FR-4 board with 2oz. Copper, in a still air environment with T_A=25° C.



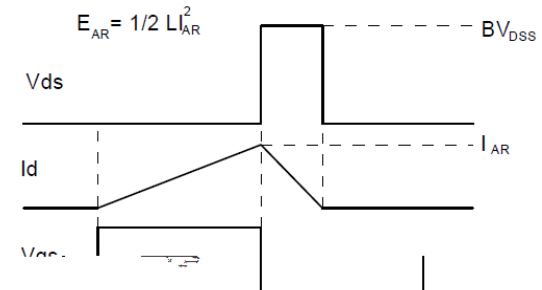
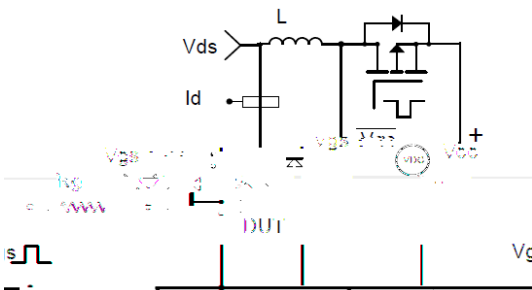
Resistive Switching Test Circuit & Waveforms



Diode Recovery Test Circuit & Waveforms



Gate Charge Test Circuit & Waveform

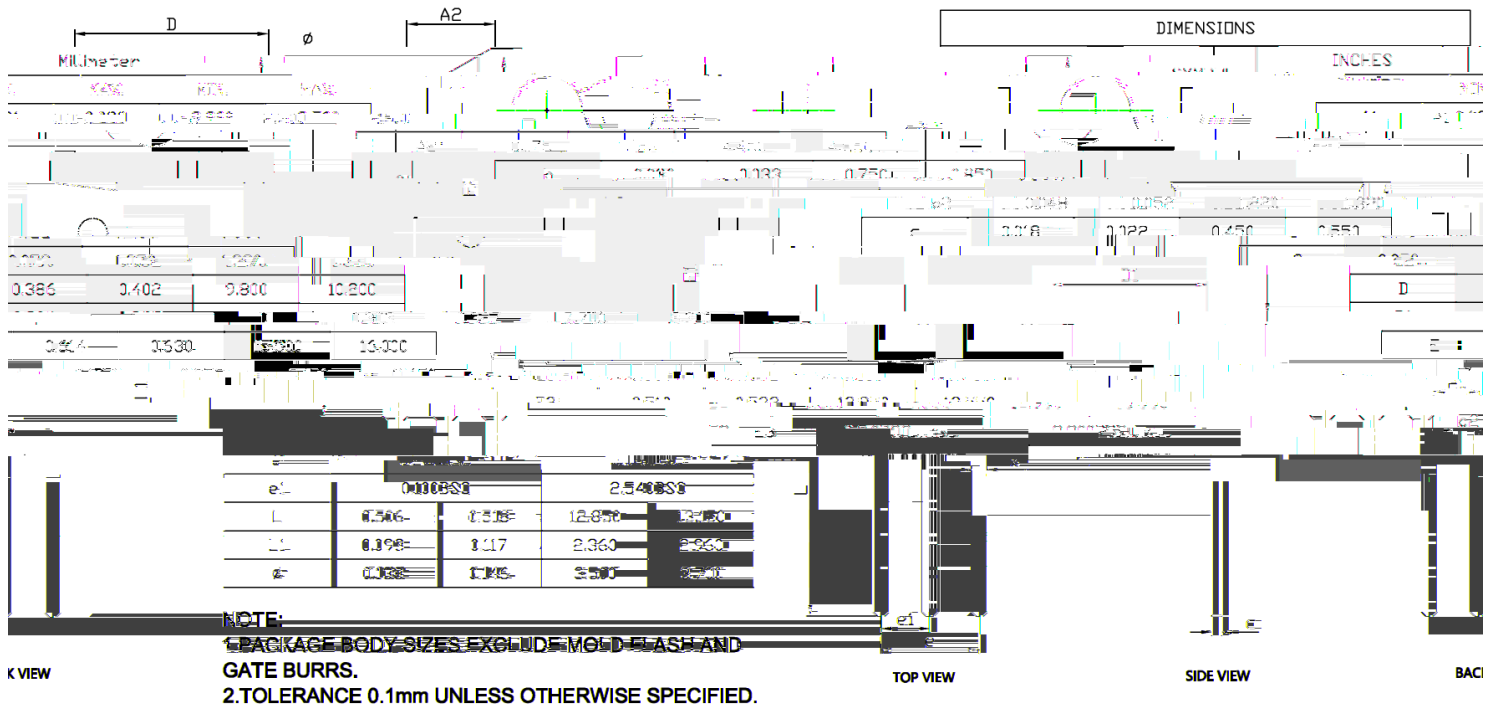


Unclamped Inductive Switching (UIS) Test Circuit & Waveforms



YJP120G08A

TO-220AB-D Package information





YJP120G08A

Disclaimer

The information presented in this document is for reference only. Yangzhou Yangjie Electronic Technology Co., Ltd. reserves the right to make changes without notice for the specification of the products displayed herein to improve reliability, function or design or otherwise.

The product listed herein is designed to be used with ordinary electronic equipment or devices, and not designed to be used with equipment or devices which require high level of reliability and the malfunction of which would directly endanger human life (such as medical instruments, transportation equipment, aerospace machinery, nuclear-reactor controllers, fuel controllers and other safety devices), Yangjie or anyone on its behalf, assumes no responsibility or liability for any damages resulting from such improper use of sale.

This publication supersedes & replaces all information previously supplied. For additional information, please visit our website <http://www.21yangjie.com>