

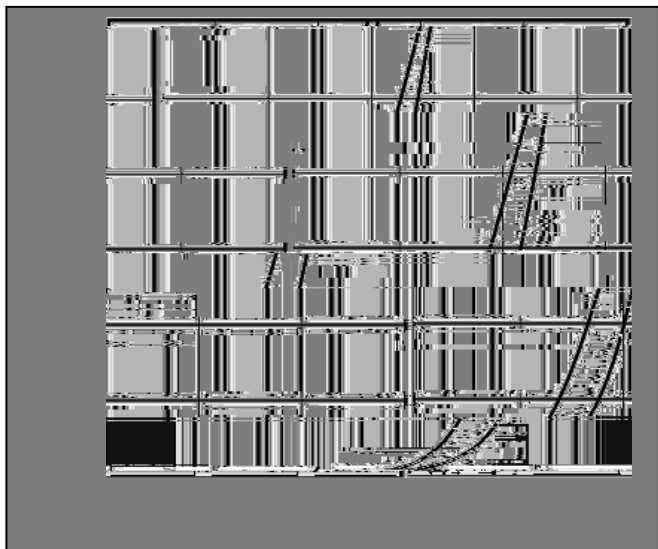
### Maximum Ratings

Symbol	Conditions	Values	Units
$V_R$		600	V

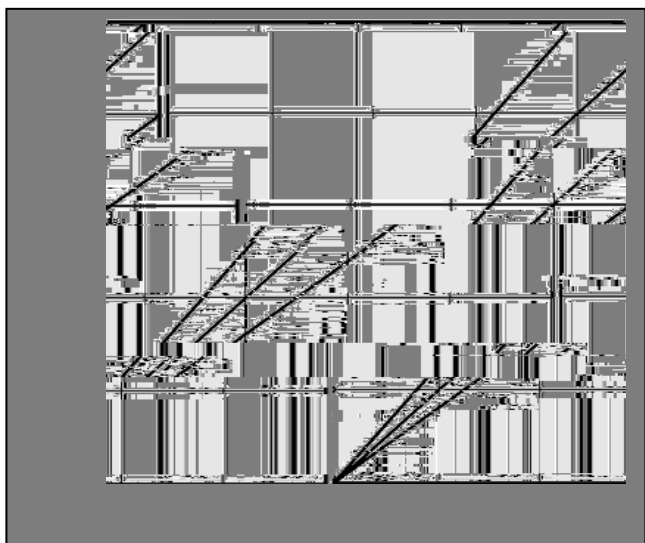
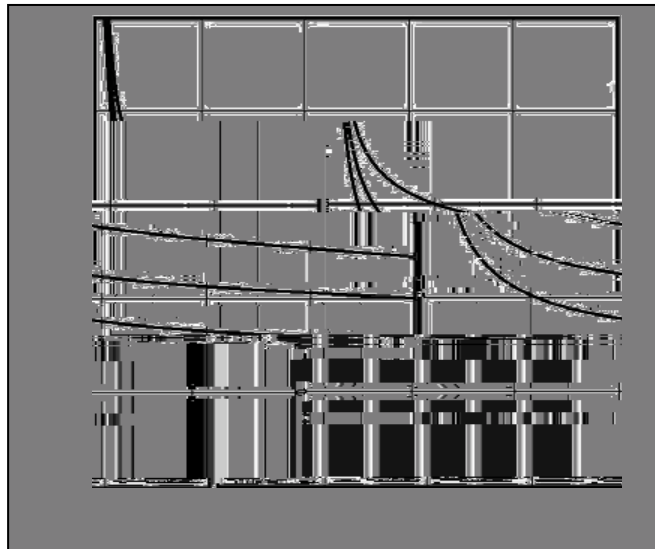


## Electrical Characteristics

### Performance Curves



Fi



**Fig3. Reverse Recovery Current vs  $di_F/dt$**

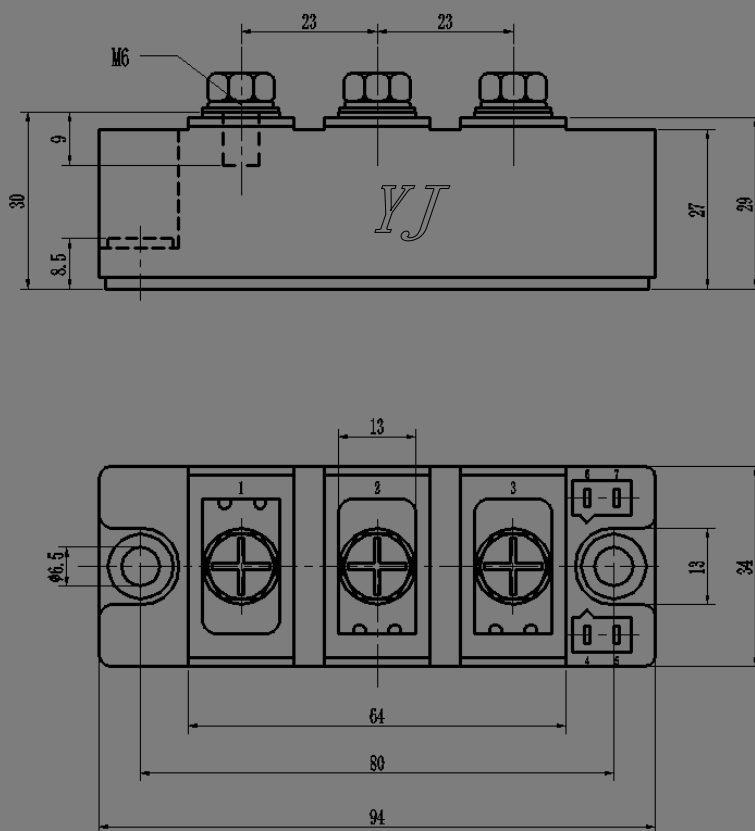


**Fig4. Reverse Recovery Charge vs  $di_F/dt$**



### Package Outline Information

CASE: F2



Dimensions in mm