



**MF200C12F2N**

## Electrical Characteristics

Symbol	Conditions	Values
--------	------------	--------

### Performance Curves

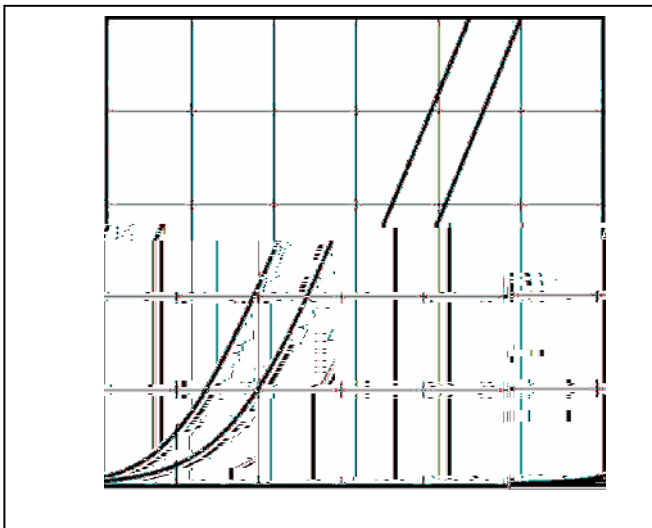


Fig1. Forward Voltage Drop vs Forward Current

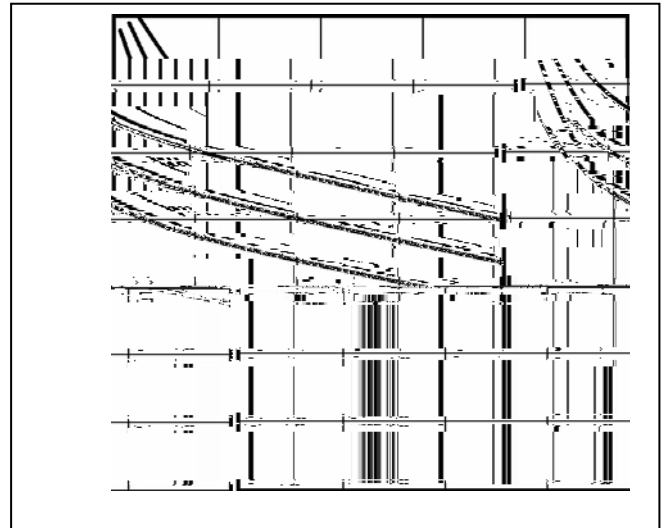


Fig2. Reverse Recovery Time vs  $di_F/dt$



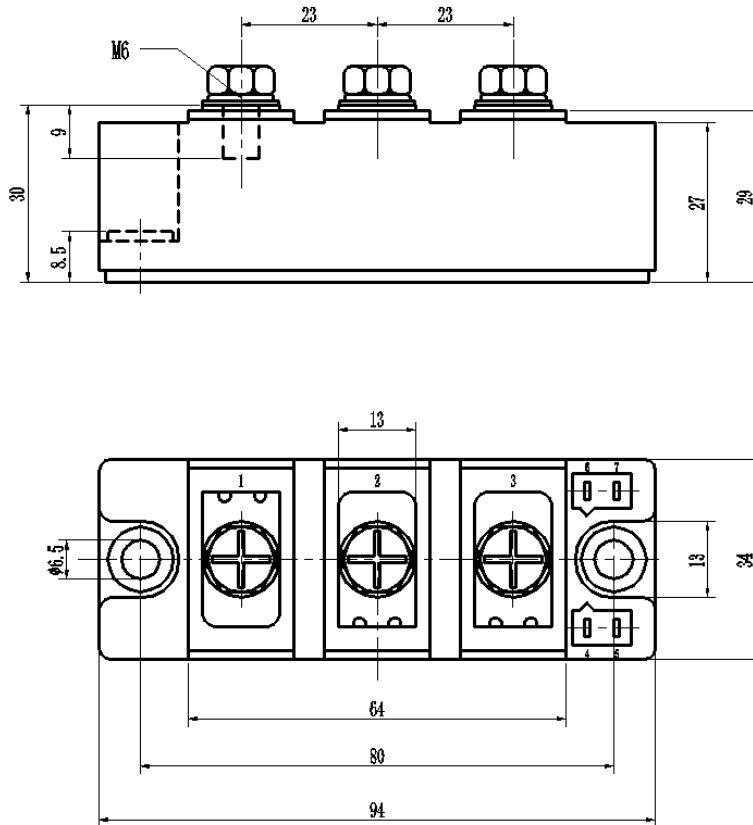
Fig3. Reverse Recovery Current vs  $di_F/dt$



Fig4. Reverse Recovery Charge vs  $di_F/dt$

## Package Outline Information

CASE: F2N



Dimensions in mm