

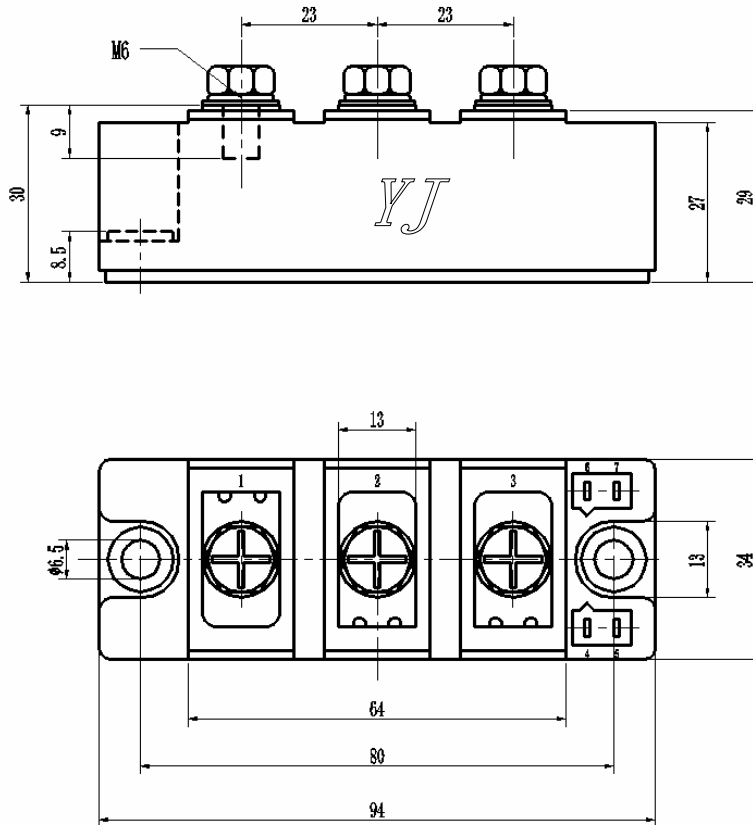




**MF100C12F2N**

## Package Outline Information

CASE: F2N



Dimensions in mm