



Module Type

TYPE	VRRM	VRSM

Maximum Ratings

Symbol	Conditions	Values	Units
--------	------------	--------	-------

Characteristics

Conditions	Values	Units
------------	--------	-------

Curves

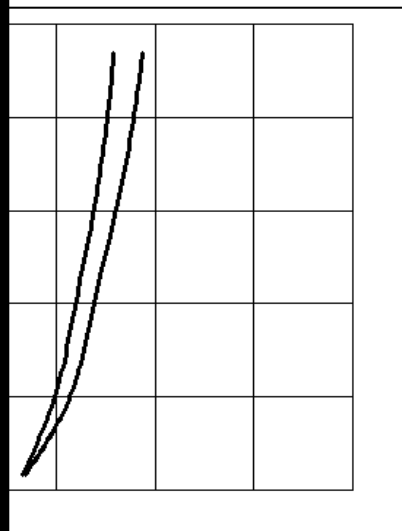


Figure 1. Voltage Drop vs Forward Current

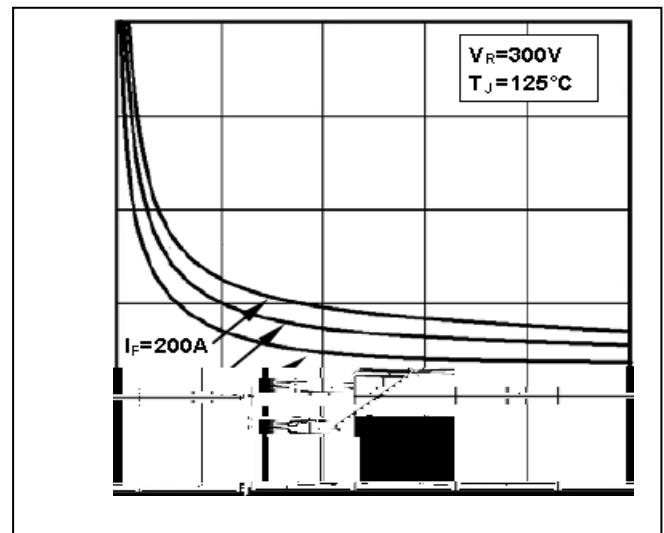


Fig2. Reverse Recovery Time vs di_F/dt

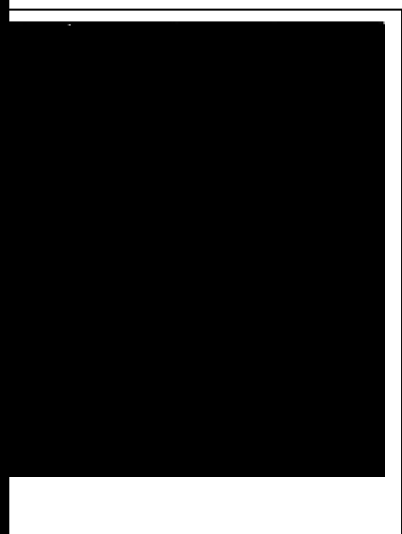


Figure 3. Reverse Recovery Current vs di_F/dt

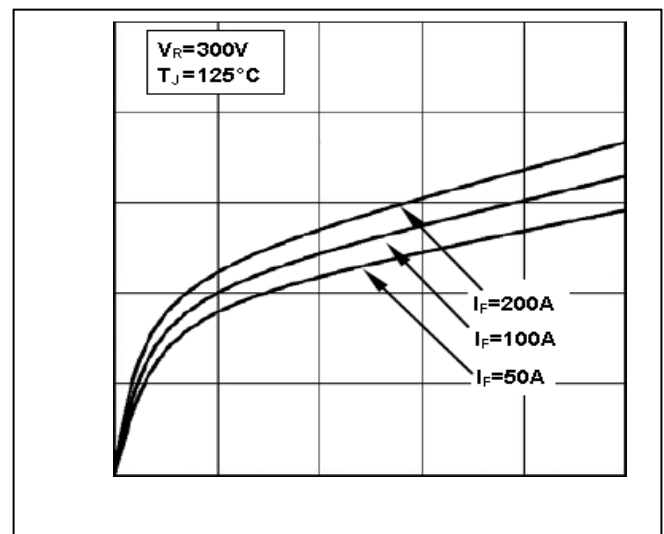
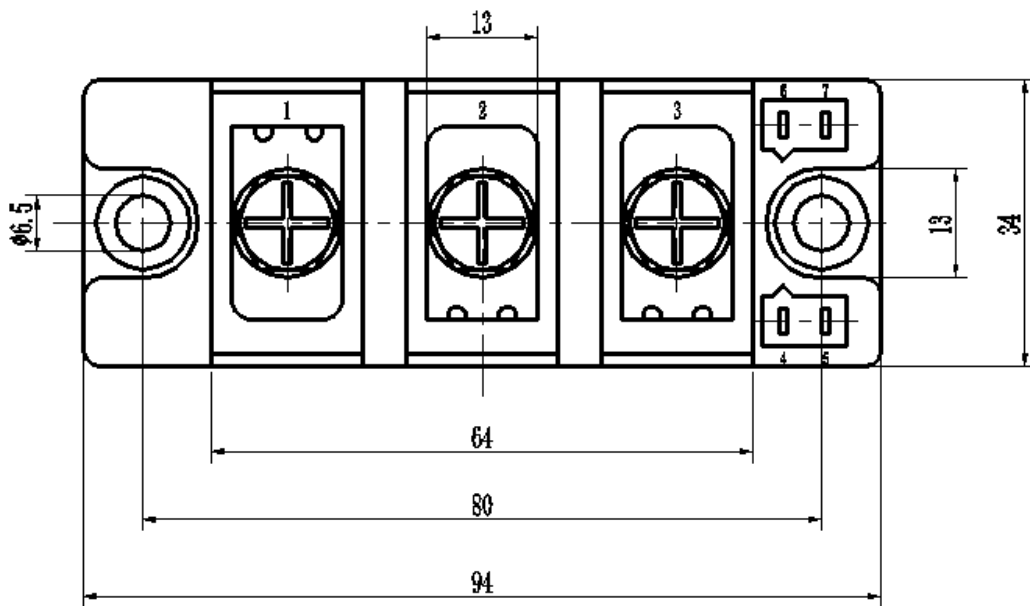
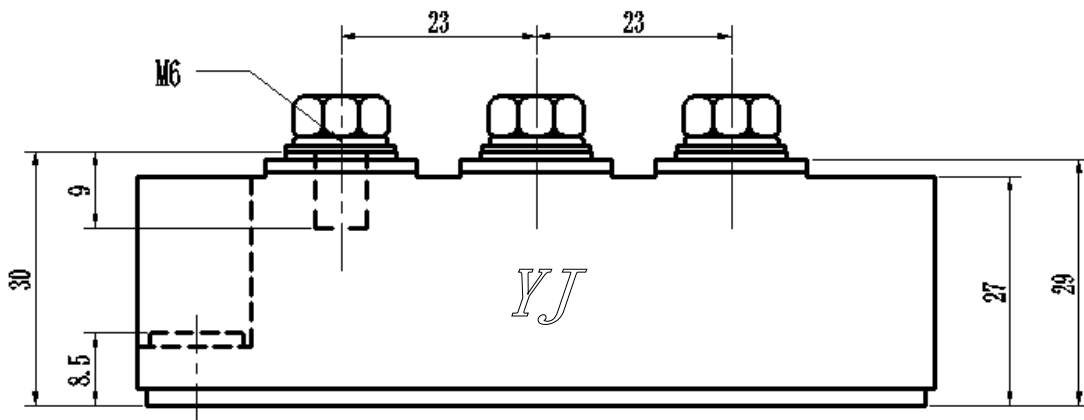


Fig4. Reverse Recovery Charge vs di_F/dt

Package Outline Information

CASE: F2N



Dimensions in mm