



1-Line Low Capacitance Bi-directional TVS Diode

Features

340W peak pulse power (8/20 μ s)
Ultra low capacitance: 1pF typical
Ultra low leakage: nA level
Operating voltage:3.3V
Low clamping voltage
Protects one power line or data line
Complies with following standards:
– IEC 61000-4-2 (ESD) immunity test
Air discharge: \pm 30Kv
Contact discharge: \pm 30kV
– IEC61000-4-5 (Lightning) 30A (8/20 μ s)
RoHS Compliant

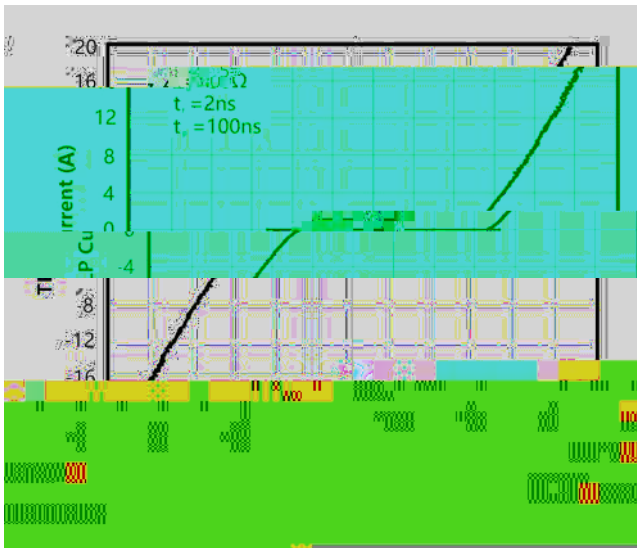
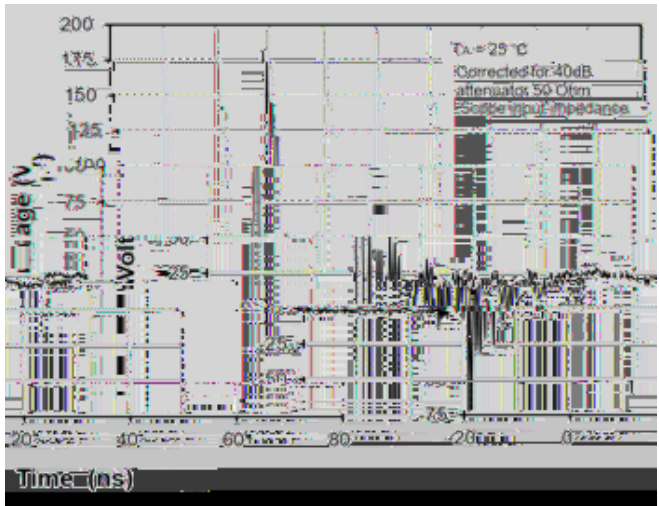
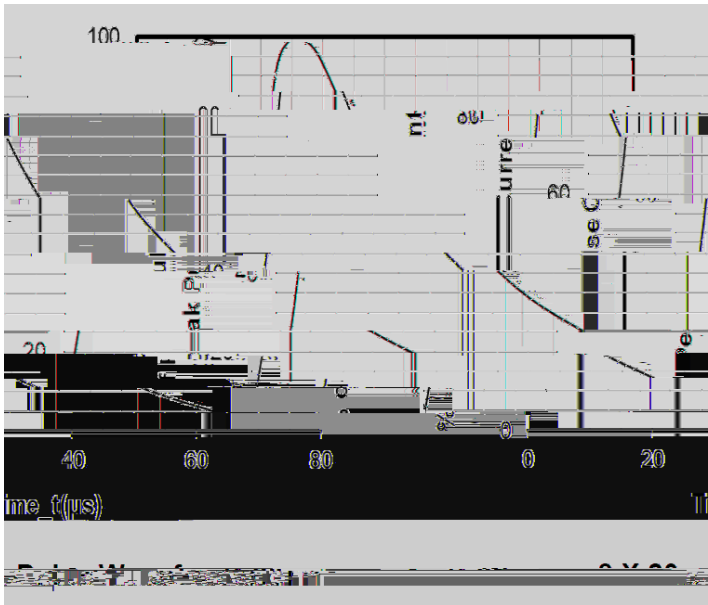
Marking Information

Maximum Ratings

PARAMETER	SYMBOL	VALUE	UNIT
Peak Pulse Power (8/20 μ s)	Ppk	340	W
Peak Pulse Current (8/20 μ s)	I _{PP}	21	A
ESD per IEC 61000–4–2 (Air) ESD per IEC 61000–4–2 (Contact)	V _{ESD}	\pm 30 \pm 30	KV
Operating Temperature Range	T _J	–55 to +125	
Storage Temperature Range	T _{stg}	–55 to +150	



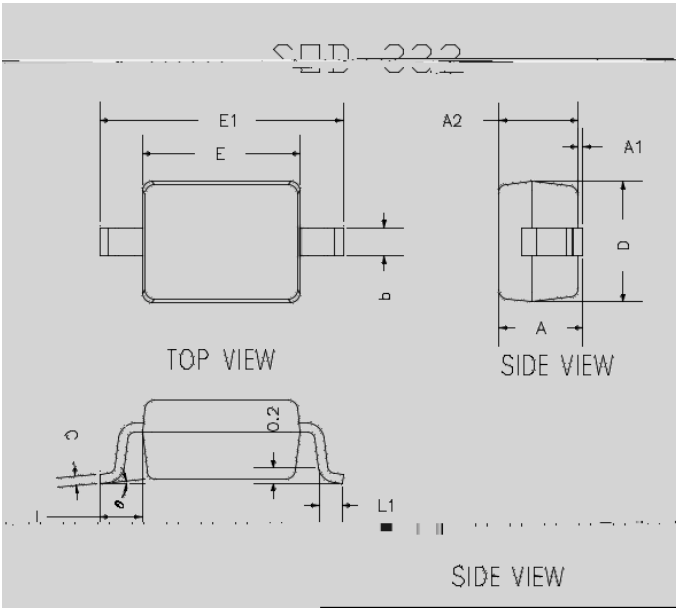
ESDSL3V3D3BA





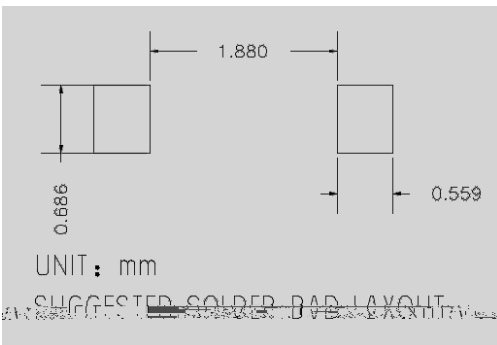
ESDSL3V3D3BA

Outline Dimensions



DIMENSIONS				
DIM	INCHES		MM	
	MIN	MAX	MIN	MAX
A	0.0000	0.0393	0.0000	1.0000
A1	0.0000	0.0039	0.0000	0.1000
A2	0.0314	0.0354	0.8000	0.9000
b	0.0098	0.0157	0.2500	0.4000

Soldering Footprint





Disclaimer

TE