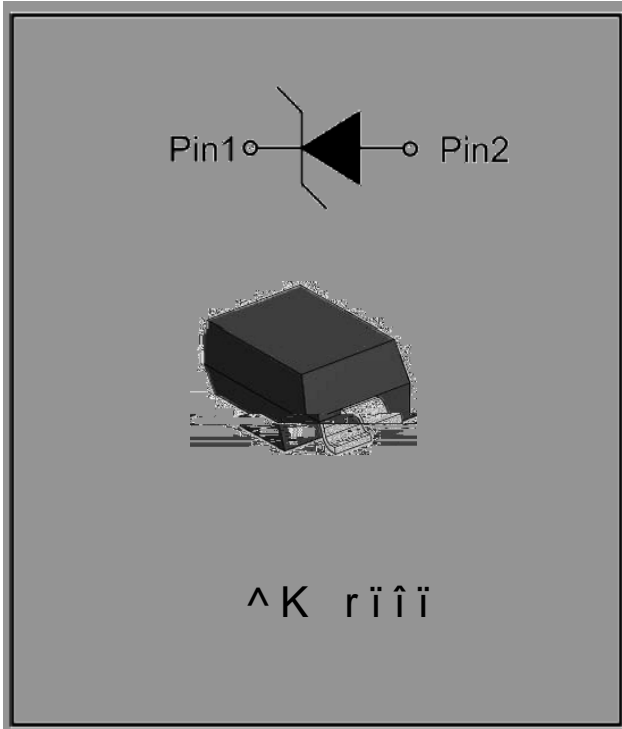


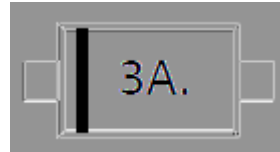
/LQH 8QL GLUHFWRQRDO 7UDQVLHQW 9RO



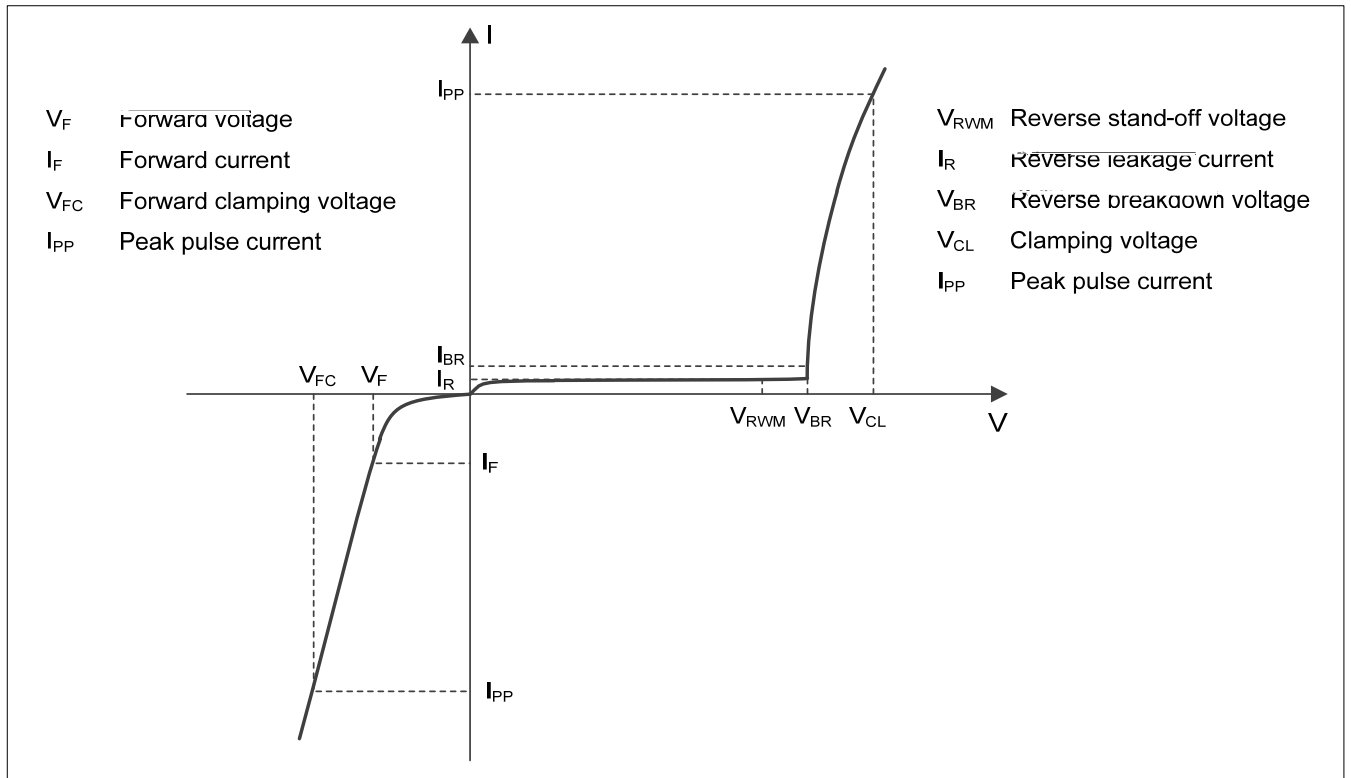
)HDWXUHV  
 " 6WDQG RII YROWDJH 9 0D[  
 " 7UDQVLHQW SURWHFWLRQ IRU HDFK O  
 ,(& (6' " N9 FRQWDFW  
 ,(& VXUJH \$ V  
 " /RZ OHDNDJH FXUUHQW  
 " 8OWUD ORZ FODPSLQJ YROWDJH  
 " 5R+6 &RPSOLDQW

\$\$\$OLFDFWRQV  
 " &HOOXODU +DQGVHWV DQG \$FFHVVRUL  
 " 3HUVRQDO 'LJLWDO \$VVLVWDQWV  
 " 1RWHRRNV DQG +DQGHOGV  
 " 3RUWDEOH ,QVWUXPHQWDFWRQ  
 " 'LJLWDO &DPHUDV  
 " 3HULSKHUDOV  
 " \$XGLR 3OD\HUV

0HFKDQLFDO 'DWD  
 " 3DFNDJH 62'  
 " /HDG )LQLVK 0DWWH 7LQ  
 " &DVH 0DWHULDO 3\*UHHQ' 0ROGLQJ &R  
 " 0RLVWXUH 6HQVLWLYLW\ /HYHO SHU  
 " 0DUNLQJ WQLRQPHH %HORZ



V'HILQLWLRQV RI HOHFWULFDO FKDUDFWHULVWLFV





( 6 ' 9 ' \$

V0D[LPXP 5DWLQJV

3\$5\$0(7(5		/,0,76	81,7
3HDN SXOVH SRZHV W	3SN		:
3HDN SXOVHsFXUUHQW W	,33		
(6' DFFRUGLQJ WR ,( & DLU GLVFKDUJH	9(6' GLVFKDUJH	"	.9
(6' DFFRUGLQJ WR ,( & FRQWDFW		"	
-XQFWLRQ WHPSHUDWXUH	-	ā	R&
6WRUDJH WHPSHUDWXUH	67*	7a	R&

v(OHFWULFDO &KDUDFWHULVWLFV

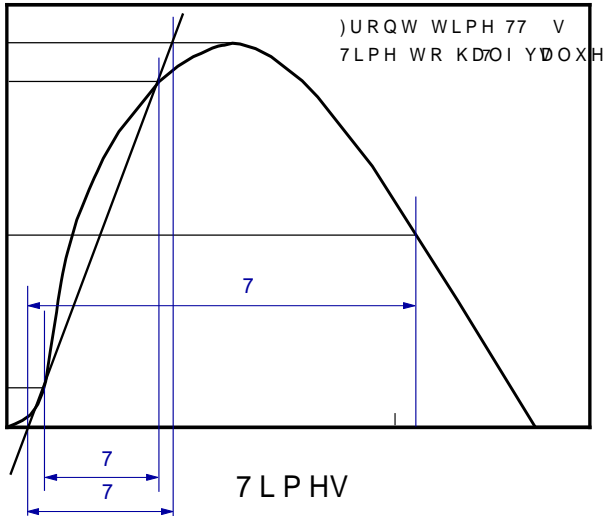


( 6 ' 9 ' \$

3 HDN SXOVH FXUUHQW

v & KDUDFWHULVWLFV 7 \ SLFDO

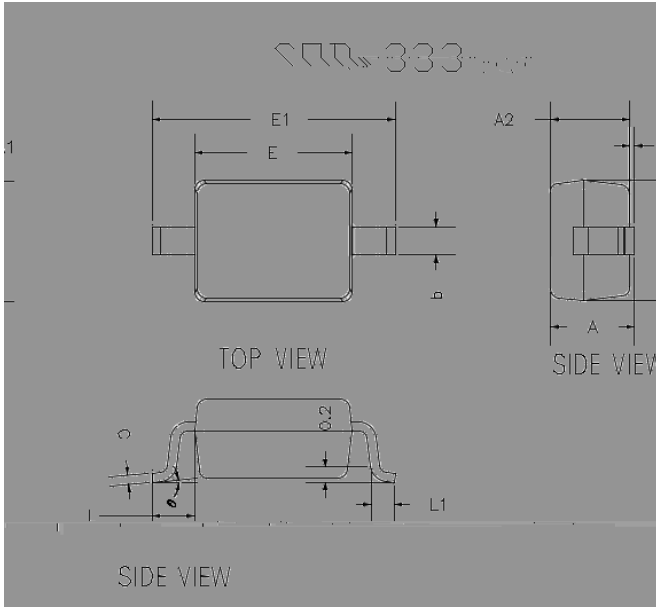
) LJ V ZDYFISHRW , (&





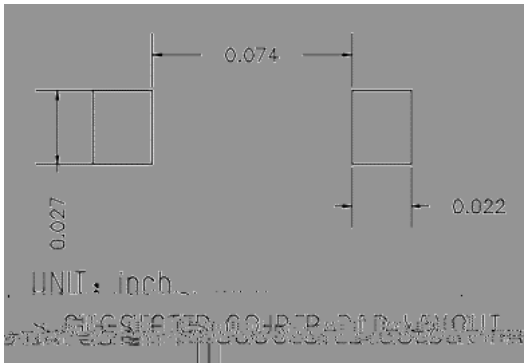

( 6 ' 9 ' \$

v 2XWOLQH 'LPHQVLRQV



DIMENSIONS				
DIM	INCHES		MM	
	MIN	MAX	MIN	MAX
A	0.0000	0.0393	0.0000	1.0000
0.0000	0.0039	0.0000	0.1000	A1
0.0314	0.0354	0.8000	0.9000	A2
0.0098	0.0157	0.2500	0.4000	b

v 6ROGHULQJ )RRWSULQW





( 6 ' 9 ' \$

'LVFODLPHU

7KH LQIRUPDWLRQ SGRVH DMQHG LQ IRWLVKHDIHJHQRH BQJMLH (OHFWURQLF 7HFHQRO  
ULJKW WR PDNH FKDLQJH VRZLWKR XWS KRLS LURDG XIERQ/ RGLWSOD\HG KHUHLQ WURGLPVLWRQ  
RU RWKHUZLVH

7KH SURGXFW OLVWHG KHUHLQ LV GHVQLH QWGRVQ FEHTXVLSBHZLWKRUR LGHLYLDFHVVW DQG  
HTXLSPHQW RU GHYLFHV ZKLFK UHTGLW KHKE DKO OXQYFHVGRG LURHOLMDEL QRVGD QXFKU DXP  
PHGLFDO LQVWUXPHQW VIT WLSDFHGSVR UWHHURV SOXFFO FD EKW DDF WFRLO FFRQVQLGRBODHVVU V  
GHYLFHV <DQJMLH RU DQ\ RQH RQ LWV OEWK DQJ OLVEXLPHLW QR R W HDGSRQV E JHV HUV  
RI VDOH

7KLV SXEOLFDWLRQ SVXSSHHW DGDVLQURQV D XLSRQ LSGHYRUR XDG GLWLRQDO LQWRHUPDWLR  
KWVZ VDQJMLH RFR PRQVXOW \RXU QHDUHVW <DQJMLHVMJYQVDFHOHV RILFH IRU IXUW